

JOB NAME:

QUANTITY:

ITEM NO.:

PRODUCT NAME:

LEVER WASTE VALVE

\_\_\_\_\_ SPECIAL CONFIGURATION  
(CHECK BASE MODEL AND OPTIONS)

MODEL:

24805 WITH FLAT STRAINER  
& 14" X 18" OVERFLOW

OPTIONS OR MODIFICATIONS:

OTHER \_\_\_\_\_

FEATURES:

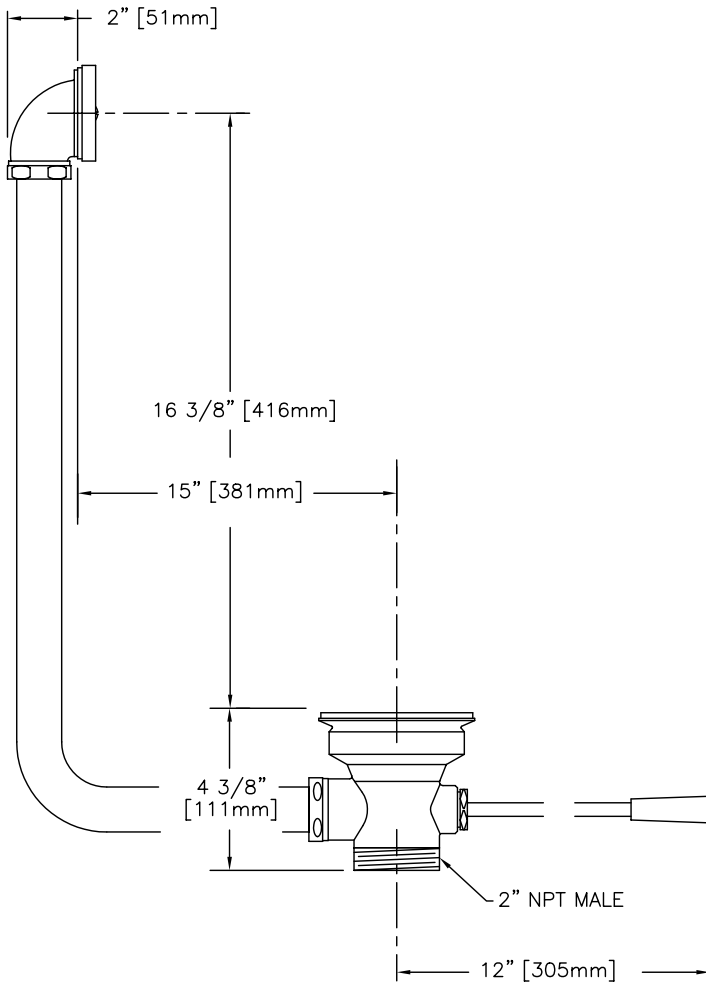
- \* 3 1/2" SINK OPENING
- \* 2" DRAIN OPENING
- \* CAST BRONZE BODY AND WORKING PARTS
- \* CHROME PLATED BODY AND WORKING PARTS
- \* FLAT STRAINER
- \* CSA CERTIFIED

DRAIN RATE:

- \* 12 GPM

SHIPPING WEIGHT

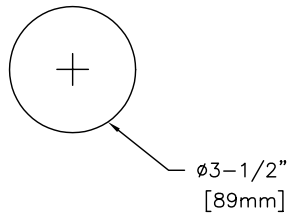
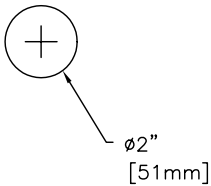
- \* 6.2 LBS



ROUGH-IN:

OVERFLOW:

DRAIN:



ANSI/A112.18.1M

Distributed by Fisher Manufacturing Company  
 P.O. Box 60 Tulare, CA 93725-0060  
 Phone 800-421-6162 FAX 800-8-FAUCET (800-832-8238)